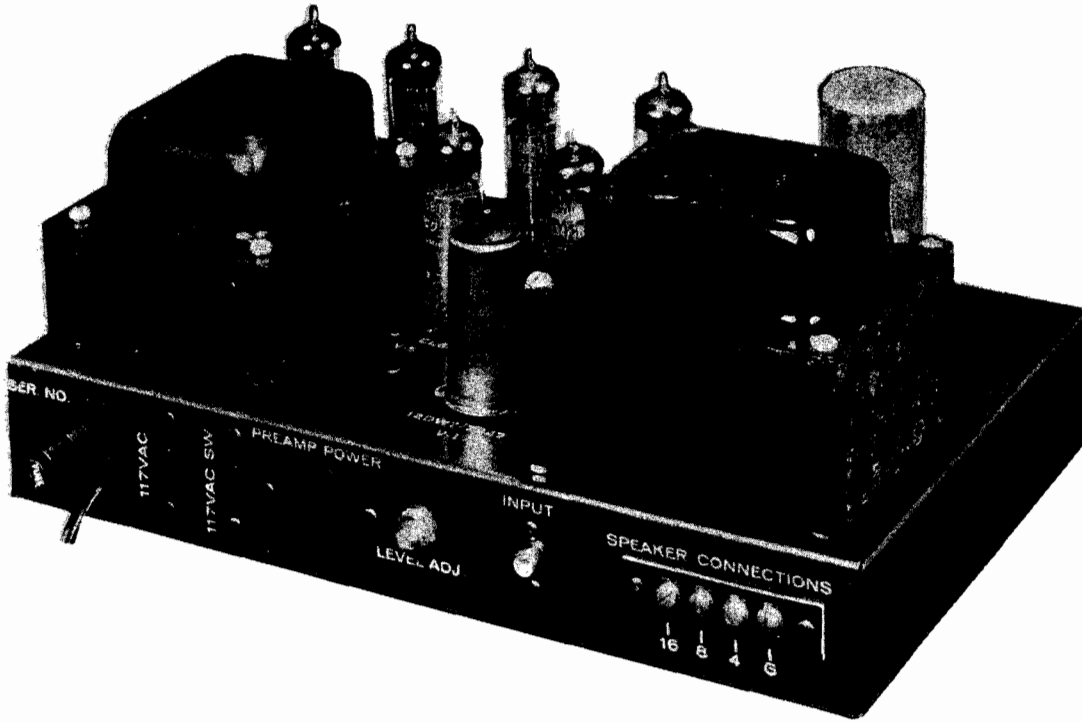




EICO  
MODEL HF-30



EICO  
MODEL HF-30

TRADE NAME	Eico Model HF-30		
MANUFACTURER	Electronic Instrument Co., Inc., 3300 Northern Blvd., Long Island City 1, N. Y.		
TYPE SET	AC Operated 7 Tube Audio Amplifier		
POWER SUPPLY	110-120 Volts AC, 50 Cycles	RATING	110 Watts, 1.0 Amp. @17 Volts AC

**HOWARD W. SAMS & CO., INC.** Indianapolis 6, Indiana



The listing of any available replacement part herein does not constitute in any case a recommendation, warranty or guaranty by Howard W. Sams & Co., Inc., as to the quality and suitability of such replacement part. The numbers of these parts have been compiled from information furnished to Howard W. Sams & Co., Inc., by the manufacturers of JX630

the particular type of replacement part listed. Reproduction or use, without express permission, of editorial or pictorial content, in any manner, is prohibited. No patent liability is assumed with respect to the use of the information contained herein. © 1960 Howard W. Sams & Co., Inc., Indianapolis 6, Indiana. Printed in U.S. of America

# PARTS LIST AND DESCRIPTIONS

## TUBES

ITEM No.	CBS		GENERAL ELECTRIC		RAYTHEON		SYLVANIA	
	USE		TYPE		ITEM No.	USE	TYPE	
V1	AF Amp. -Phase Inv.		7247 (12DW7) *		V5	Output Rectifier	EL84 (6BQ5) *	
V2	Output		EL84 (6BQ5) *		V6		E281 (6CA4) *	
V3	Output		EL84 (6BQ5) *		V7		E281 (6CA4) *	
V4	Output		EL84 (6BQ5) *					

\* Alternate

## ELECTROLYTIC CAPACITORS

ITEM No.	RATING		REPLACEMENT DATA						NOTES
	CAP.	VOLT.	EICO PART No.	AEROVOX PART No.	CORNELL-DUBILIER PART No.	MALLORY PART No.	PYRAMID PART No.	SPRAGUE PART No.	
C1A	40	450	24012	AFH3-43-50	C0344	FP447	TMQ-123	TVL-3780	
B	20	450							
C	20	450							
D	20	450							
C2	300	25	23017	PRSI540	BR30015	TC499	TD-500-25	TVA-1208.5*	

\* Not normally in distributor's stock. Available thru distributor on order to manufacturer.

## FIXED CAPACITORS

Capacity values given in the rating column are in mfd. for Paper Capacitors, and in mmfd. for Mica and Ceramic Capacitors.

ITEM No.	RATING		REMARKS	REPLACEMENT DATA					
				AEROVOX PART No.	CENTRALAB PART No.	CORNELL-DUBILIER PART No.	ELMENCO PART No.	MALLORY PART No.	SPRAGUE PART No.
C3	25	NPO 10%		NPO-DI 25	DTZ-25	C10Q25C	CCTO-270	CNO-425	10TCC-Q25
C4	25	NPO 10%		NPO-DI 25	DTZ-25	C10Q25C	CCTO-270	CNO-425	10TCC-Q25
C5	25	NPO 10%		NPO-DI 25	DTZ-25	C10Q25C	CCTO-270	CNO-425	10TCC-Q25
C6	25000					ST8825	8DP-3-253	GEM-6125	5HK-S25
C7	25000					ST8825	8DP-3-253	GEM-6125	5HK-S25
C8	25	NPO 10%		NPO-DI 25	DTZ-25	C10Q25C	CCTO-270	CNO-425	10TCC-Q25
C9	100	10%		DI-100	DD-101	L10T1	CCD-101	GP310	10TS-T10
C10	.03	600V		P688N-03	DD-303	CUB683	8DP-3-303	GEM-613	6TM-S3

## CONTROLS

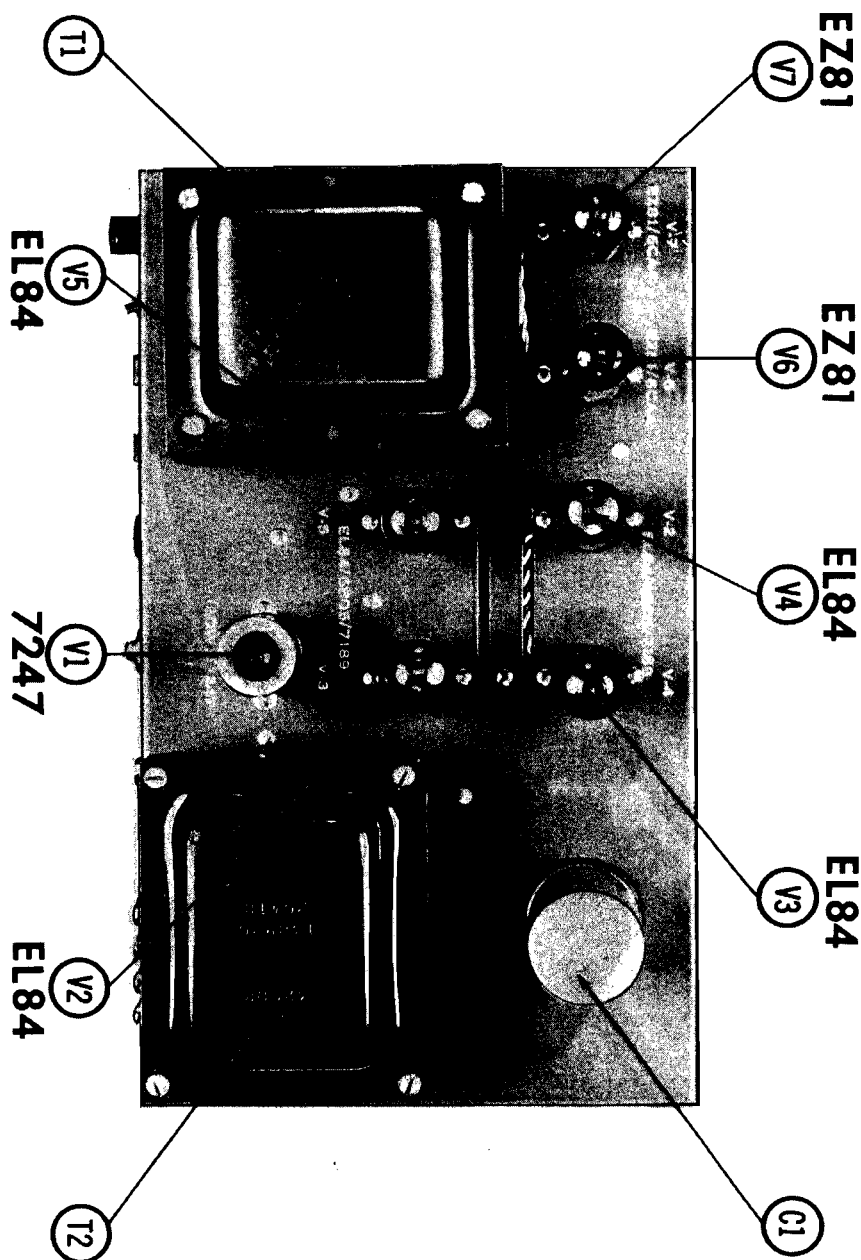
ITEM No.	RATING		REPLACEMENT DATA					INSTALLATION NOTES
	RESISTANCE	WATTS	EICO PART No.	CENTRALAB PART No.	CLAROSTAT PART No.	CTS-IRC PART No.	MALLORY PART No.	
RLA	500K		18050	AB-60	A47-500K-Z	BI3-133	U48	Level Adj.
B	Shaft	1/2		AK-1	FKS-1/4	SK2		

## RESISTORS

All wattages 1/2 watt, or less, unless otherwise listed.

ITEM No.	RATING	REMARKS	ITEM No.	RATING	REMARKS	ITEM No.	RATING	REMARKS
R2	10K		R8	330K		R14	33K 5%	
R3	330K		R9	1000Ω		R15	33K 1W	
R4	1800Ω 5%		R10	1000Ω		R16	80Ω 5% 5W	
R5	82K 5%		R11	330K		R17	680Ω	
R6	82K 5%		R12	1000Ω				
R7	1000Ω		R13	80Ω 5% 5W				

# CHASSIS—TOP VIEW



## PARTS LIST AND DESCRIPTIONS (Continued)

### TRANSFORMER (POWER)

ITEM No.	RATING			REPLACEMENT DATA						
	PRI.	SEC. 1	SEC. 2	EICO PART No.	Halldorson PART No.	Merit PART No.	Ram PART No.	Stancor PART No.	Thordarson PART No.	Triad PART No.
		SEC. 3	SEC. 4							
T1	117V @ 1A	600 VCT @ 175A	6.3V @ 1.8A	30021						
	6.3V @ 3.7A									

### TRANSFORMER (AUDIO OUTPUT)

ITEM No.	IMPEDANCE		REPLACEMENT DATA							NOTES
	PRI.	SEC.	EICO PART No.	Halldorson PART No.	Merit PART No.	Ram PART No.	Stancor PART No.	Thordarson PART No.	Triad PART No.	
		18Ω Tap CT								
T2	4100Ω	18Ω Tap CT	32008							

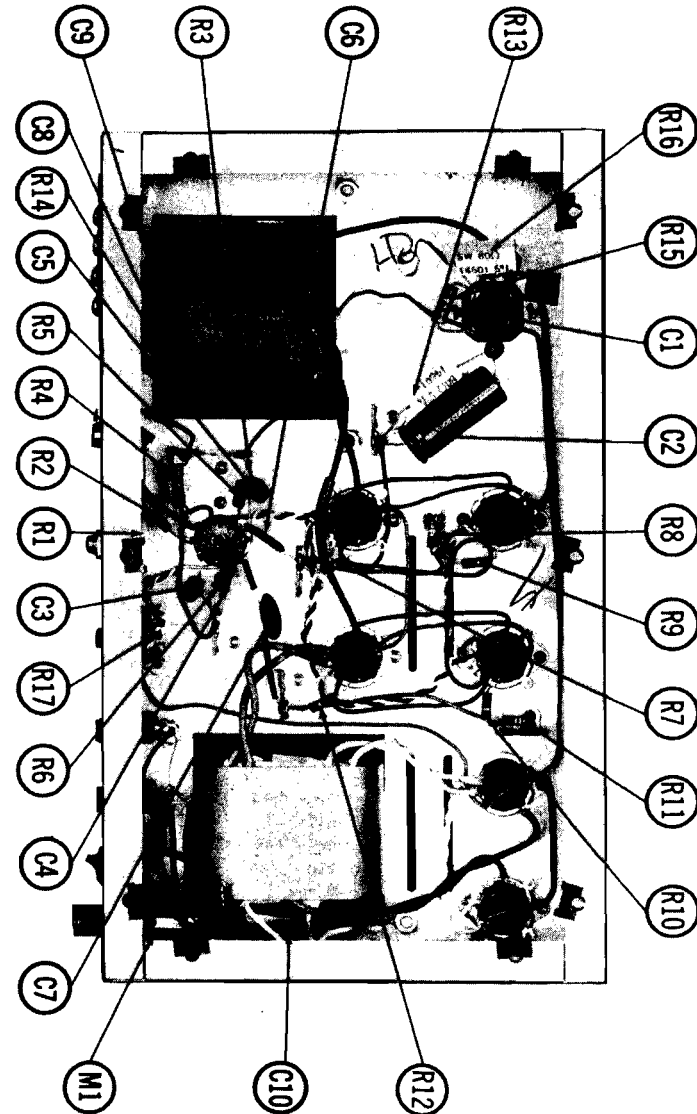
### FUSES

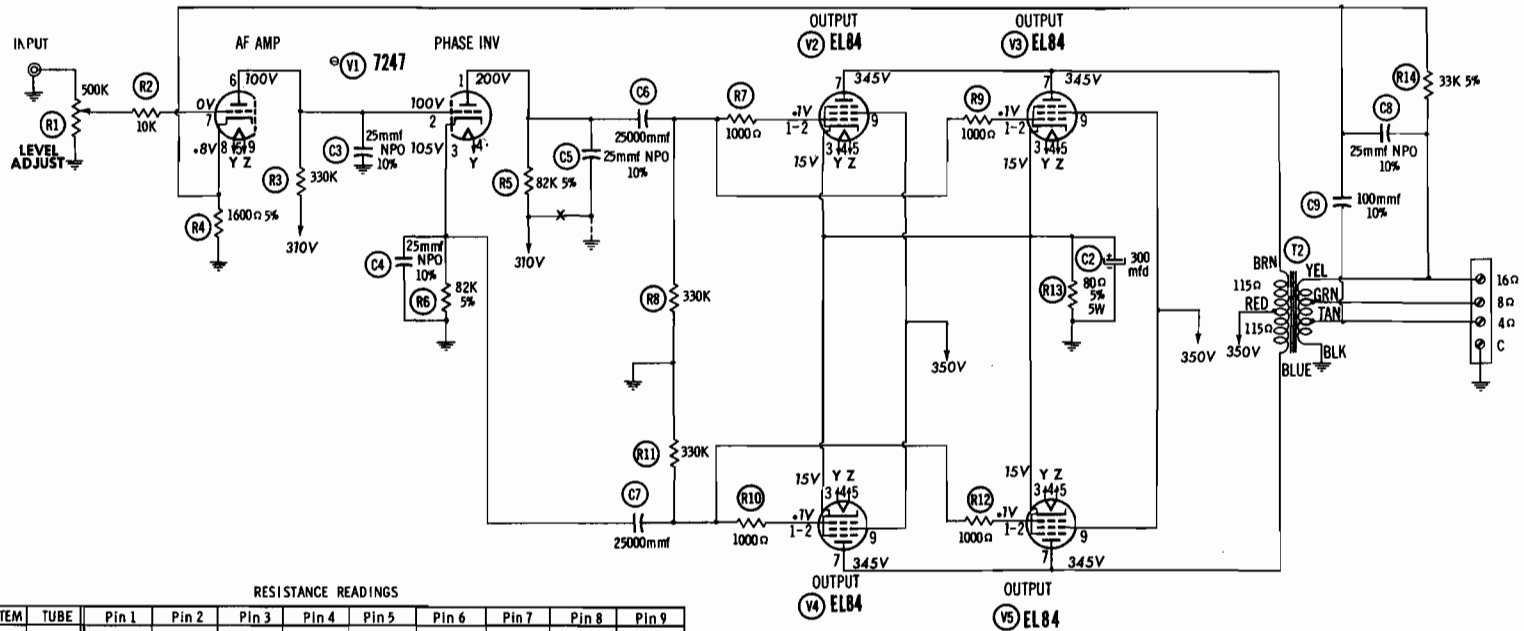
ITEM No.	TYPE	RATING	REPLACEMENT DATA					
			EICO PART No.		LITTELFUSE PART No.		BUSS PART No.	
			FUSE	HOLDER	FUSE	HOLDER	FUSE	HOLDER
M1	3AG	3A 250V	91005	97800	312003 (3AG 3A 250V)	342001	AGC 3	HKP

### WIRING DATA

General-use Unshielded Hook-up Wire .....	Use BELDEN No. 8530 (Solid) Available in Ten Colors 8524 (Stranded) Available in Ten Colors
Power Cord .....	Use BELDEN No. 1765-B (6 Ft. Length) 1725-K (7½ Ft. Length)

## CHASSIS—BOTTOM VIEW



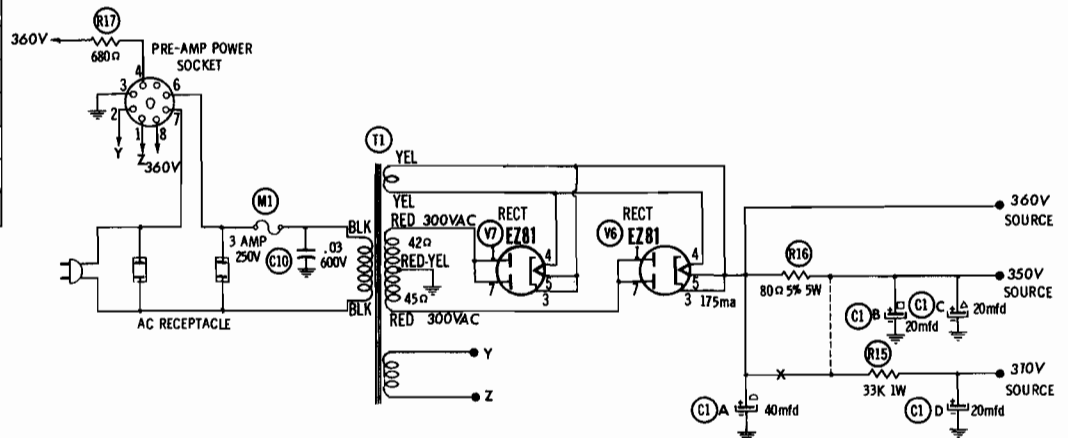


RESISTANCE READINGS

ITEM	TUBE	Pin 1	Pin 2	Pin 3	Pin 4	Pin 5	Pin 6	Pin 7	Pin 8	Pin 9
V1	7247	† 115K	† 360K	82K	INF	INF	† 360K	10K	1600Ω	INF
V2	EL84	330K	330K	80Ω	INF	INF	NC	† 195Ω	NC	† 80Ω
V3	EL84	330K	330K	80Ω	INF	INF	NC	† 195Ω	NC	† 80Ω
V4	EL84	330K	330K	80Ω	INF	INF	NC	† 195Ω	NC	† 80Ω
V5	EL84	330K	330K	80Ω	INF	INF	NC	† 195Ω	NC	† 80Ω
V6	EZ81	45Ω	NC	†	†	†	NC	45Ω	NC	TP
V7	EZ81	42Ω	NC	†	†	†	NC	42Ω	NC	TP

† THIS READING WILL VARY DEPENDING UPON THE CONDITION OF THE ELECTROLYTIC IN THE CIRCUIT.  
 † MEASURED FROM PIN 3 OF V7.  
 NC NO CONNECTION.  
 TP TIE POINT.

- DC voltage measurements taken with vacuum tube voltmeter; AC voltages measured at 1000 ohms per volt.
- Socket connections are shown as bottom views.
- Measured values are from socket pin to common negative.
- Line voltage maintained at 117 volts for voltage readings.
- Nominal tolerance of component values makes possible a variation of ±15% in voltage and resistance readings.
- All controls at minimum, proper output load connected.



SEE PARTS LIST FOR ALTERNATE VALUE OR APPLICATION

DC COIL RESISTANCE VALUES UNDER ONE OHM NOT SHOWN ON SCHEMATIC DIAGRAM

EICO  
MODEL HF-30