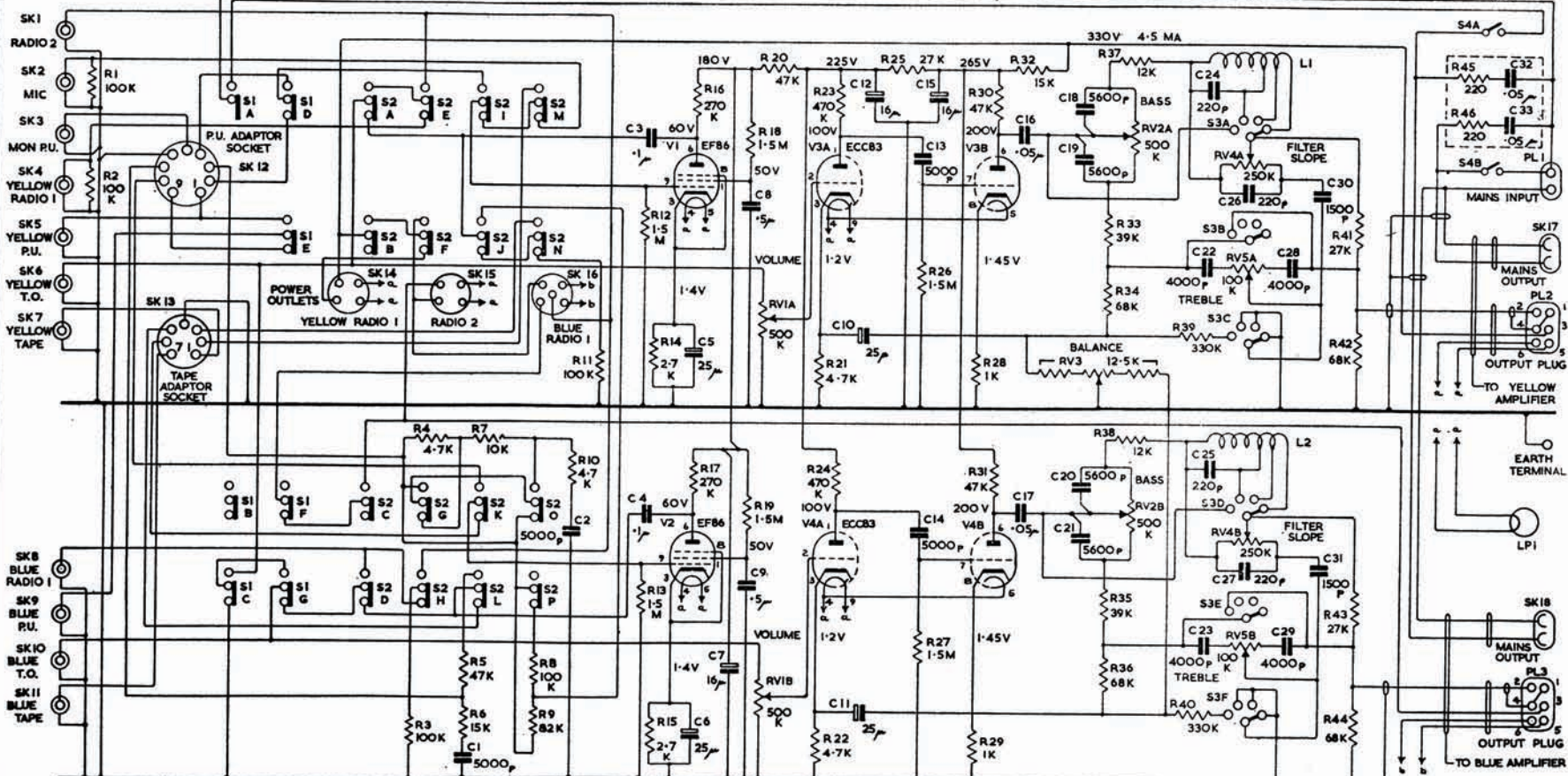


R	1	2	3	4	5	6	7	8	9	10	11	12	13	14	15	16	17	18	19	20	21	22	23	24	25	26	27	28	29	30	31	32	33	34	35	36	37	38	39	40	RV4A RV4B RV5A RV5B	24 22 23	26 27	28 29	30 31	41	42	43	44	45	46	R
C	1	2	3	4	5	6	7	8	9	10	11	12	13	14	15	16	17	18	19	20	21	22	23	24	25	26	27	28	29	30	31	32	33	34	35	36	37	38	39	40	41	42	43	44	45	46	C					

STEREO MON RADIO MIC DISC TAPE JOK 7K OFF ON
 2 MON RADIO 2 DISCS SK CANCEL SK



STEREO MON RADIO MIC DISC TAPE
 THE VOLTAGE AND CURRENT MEASUREMENTS SHOWN ARE APPROXIMATE, AND ARE ONLY PROVIDED AS A GUIDE. ALLOWANCE SHOULD BE MADE FOR THE LOADING EFFECTS OF A VOLTMETER.

DRG No B 11402 ISS. 1

**QUAD 22 CONTROL UNIT
 CIRCUIT DIAGRAM**