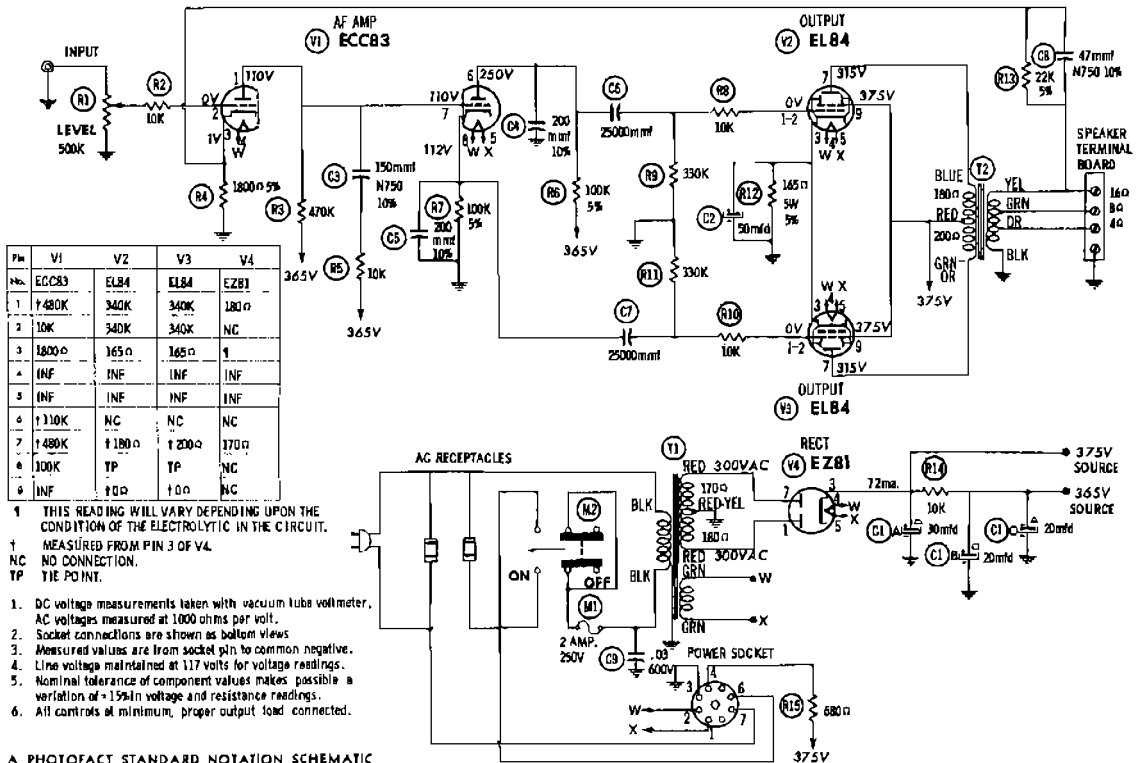


EICO MODEL
HF-14

TRADE NAME	Eico Model HF-14		
MANUFACTURER	Electronic Instrument Co., Inc., 3300 Northern Blvd., Long Island City 1, N. Y.		
TYPE SET	AC Operated 4 Tube Audio Amplifier		
POWER SUPPLY	110-120 Volts AC, 60 Cycles	RATING	59 Watts, .57 Amp. @ 117 Volts AC

EICO MODEL
HF-14



A PHOTOFAC STANDARD NOTATION SCHEMATIC
© Howard W. Sams & Co., Inc. 1960

HOWARD W. SAMS & CO., INC. Indianapolis 6, Indiana

The listing of any available replacement part herein does not constitute in any case a recommendation, warranty or guaranty by Howard W. Sams & Co., Inc., as to the quality and suitability of such replacement part. The numbers of these parts have been compiled from information furnished to Howard W. Sams & Co., Inc., by the manufacturers of JX824

the particular type of replacement part listed. Reproduction or use, without express permission, of editorial or pictorial content, in any manner, is prohibited. No patent liability is assumed with respect to the use of the information contained herein. © 1960 Howard W. Sams & Co., Inc., Indianapolis 6, Indiana. Printed in U.S. of America

PARTS LIST AND DESCRIPTIONS

CHASSIS—BOTTOM VIEW

ITEM No.	USE	TYPE	ITEM No.	USE	TYPE
V1	AF Amp. Output	ECC83 (12AX7)* EL84 (6BQ5)*	V3	Output Rectifier	EL84 (6BQ5)* EZ81 (6CA4)*
V2	*Alternate		V4		

ELECTROLYTIC CAPACITORS

ITEM No.	CAP.	VOLT.	REPLACEMENT DATA				NOTES
			EICO PART No.	CORNELL-DUBIERRE PART No.	MALLOY PART No.	PYRAMID PART No.	
C1A	.30	450	24011	C0280	FP238	TMT-35	TYL-37B1
B	.20	450					
C	.20	450					
C2	50	25	23007	SRE25V50	PBRD50-35	TC29	TD-50-25

FIXED CAPACITORS

Capacity values given in the rating column are in mfd. for Paper Capacitors, and in mfd. for Mica and Ceramic Capacitors.

ITEM No.	RATING	REMARKS	REPLACEMENT DATA				SPRAGUE PART No.
			AEROVOX PART No.	CENTRALAB PART No.	CORNELL-DUBIERRE PART No.	ELMIENCO PART No.	
C3	150 N750 10%		N750-DI-150	D7N-150	C0715U	CNT-315	107CU-T15
C4	200 10%		DI-200	DD-201	LA072	CCD-201	107S-T20
C5	200 10%		DI-200	DD-201	LA072	CCD-201	107S-T20
C6	25000	#22517				6DM-3-253	58K-525
C7	25000	#22517				6DP-3-253	58K-525
C8	47 N750 10%		N750-DI-47	D7N-47	C10047U	CCTN-470	107CU-Q47
C9	.03 600V		P688N-03	DD-303	CUD853	6DP-3-303	67M-53

Eico Part Number

CONTROLS

ITEM No.	RATING	REMARKS	REPLACEMENT DATA			INSTALLATION NOTES
			CENTRALAB PART No.	CLAROSTAT PART No.	CTS-IRC PART No.	
R1A	500K		AB-50	A47-500K-Z	B13-133	Level
B	Start		AE-1	FEB-1/4	SK-2	

All wattages 1/2 watt, or less, unless otherwise listed.

RESISTORS

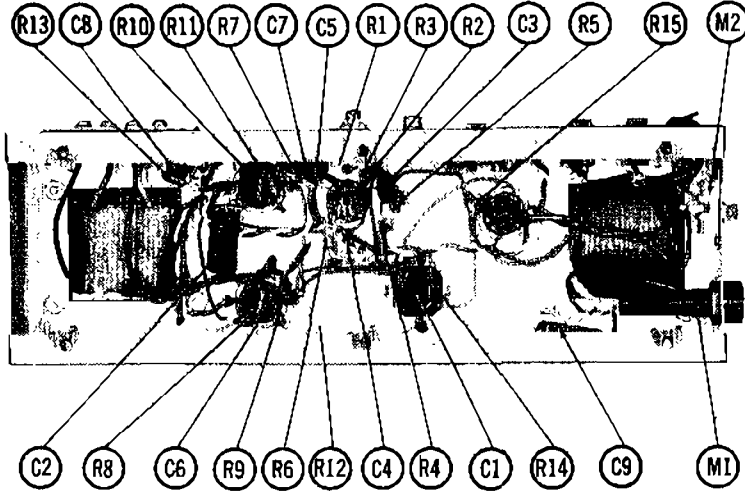
ITEM No.	RATING	REMARKS	ITEM No.	RATING	REMARKS
R2	10K		R12	1650 5% 5W	
R3	470K		R13	22K 5%	
R4	1800Ω 5%		R14	10K	
R5	10K		R15	880Ω	
R6	100K 5%				

TRANSFORMER (POWER)

ITEM No.	RATING	REMARKS	REPLACEMENT DATA		
			EICO PART No.	Halderson PART No.	Merit Ram PART No.
T1	800 VCT @ .072A	6.3V @ 2.8A	30019		

TRANSFORMER (AUDIO OUTPUT)

ITEM No.	IMPEDANCE	REPLACEMENT DATA			NOTES
		EICO PART No.	Halderson PART No.	Merit Ram PART No.	
T2	1600Ω 18V @ CT	38005			



FUSES

ITEM No.	TYPE	RATING	REPLACEMENT DATA			
			EICO PART No.	HOLDER	FUSE	HOLDER
M1	3AG	2A 250V	91000	97800-	312002 (3AG 2A 250V)	941001

MISCELLANEOUS

ITEM No.	PART NAME	EICO PART No.	NOTES
M2	Switch	52004	Off-On (DPST, Slide-Type)

WIRING DATA

ITEM No.	REMARKS
	General-use Unshielded Book-up Wire Use BELDEN No. 8530 (Solid) Available in Ten Colors 8534 (Stranded) Available in Ten Colors Power Cord Use BELDEN No. 1785-B (6 Ft. Length) 1723-X (1 1/2 Ft. Length)