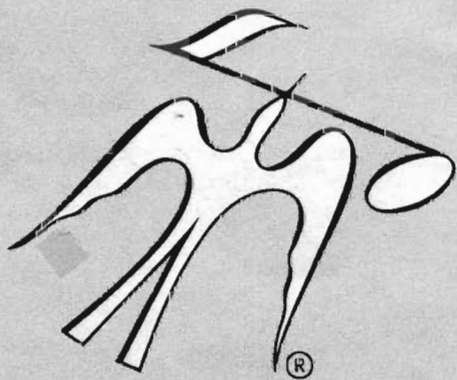


# Service Manual

# THE FISHER



# 400

CHASSIS SERIAL NUMBERS  
FROM 20001 to 29999 INCLUSIVE

\$1.00

FISHER RADIO CORPORATION · LONG ISLAND CITY 1 · NEW YORK

# PARTS DESCRIPTION LIST

## CAPACITORS

10% tolerance for all fixed capacitors, unless otherwise noted or marked GMV (guaranteed minimum value). All capacitors not marked uf are pF (uuf).

Symbol	Description	Part No.
C1, 2	Ceramic, 100, GMV, N1500, 1000V	C50070-5
C3	Ceramic, 21, 5%, N750, 1000V	C50070-32
C4	Ceramic, 8, 5%, NPO, 1000V	C50070-45
C5	Ceramic Trimmer	C662-123
C6	Ceramic, 1000, GMV, 500V	C50089-2
C7	FM Variable	C966-109-1
C8	Ceramic, 1000, GMV, 500V	C50089-2
C9	Ceramic, 39, N1500, 1000V	C50072-17
C10, 11	Ceramic, .01uf, 20%, 500V	C50089-3
C12	Ceramic, 24, 5%, N150, 1000V	C50070-8
C13	Ceramic, 12, 5%, N080, 500V	CC20LJ120J5
C14	Ceramic, 13, 5%, NPO, 500V	CC20CJ130J5
C15, 16	Ceramic Trimmer	C662-123
C17	Ceramic, 8, 5%, NPO, 1000V	C50070-45
C19, 20	Mylar, .022uf, 250V	C50197-49
C21	Ceramic, 120, 5%, N1500, 1000V	C50070-44
C22	Ceramic, 1000, 1000V	C50072-3
C23, 24	Ceramic, Feedthru, 1000, GMV	C592-187
C25	Ceramic, 5000, +80 —20%, 500V	C50089-6
C26	Ceramic, 2700, 1000V	C50072-17
C27	Ceramic, 560, 1000V	C50072-14
C28	Ceramic, 5000, +80 —20%, 500V	C50089-6
C29, 30	Ceramic, 120, N1500, 1000V	C50070-9
C31	Ceramic, 24, 5%, N150, 1000V	C50070-8
C32	Ceramic, 18 N470, 1000V	C50070-13
C33, 34	Ceramic, 1000, 1000V	C50072-3
C35, 36	Ceramic, .02uf, 20%, 500V	C50089-5
C37	Ceramic, 5000, +80 —20%, 500V	C50089-6
C38	Ceramic, 2700, 1000V	C50072-17
C39, 40	Ceramic, 5000, +80 —20%, 500V	C50089-6
C41	Ceramic, 2700, 1000V	C50072-17
C42	Ceramic, .02uf, GMV, 1000V	C50071-6
C43	Ceramic, 5000, +80 —20%, 500V	C50089-6
C44	Ceramic, 330, 1000V	C50072-1
C45, 46	Ceramic, 100, 5%, N1500, 1000V	C50070-19
C47	Mylar, .1uf, 125V	C50435-7
C48, 49	Mylar, .047uf, 400V	C50197-30
C50, 51	Ceramic, 330, 1000V	C50072-1
C52	Ceramic, 1800, 1000V	C50072-8
C53, 54	Ceramic, 560, 1000V	C50072-14
C55	Electrolytic, 8uf, 50V	C629-138
C56, 57	Ceramic, 68, N2200, 1000V	C50070-12
C58, 59	Ceramic, .02uf, 20%, 500V	C50089-5
C60, 61	Ceramic, 330, 1000V	C50072-1
C62	Mylar, .047uf, 400V	C50197-30
C63	Mylar, .047uf, 250V	C50197-52
C64	Mylar, .047uf, 400V	C50197-30
C65	Mylar, .047uf, 250V	C50197-52
C66, 67	Ceramic, 18, N470, 1000V	C50070-13
C68, 69	Ceramic, .02uf, +80 —20%, 500V	C50089-4
C70, 71, 72, 73	Ceramic, 5000, +80 —20%, 500V	C50089-6
C74	Electrolytic, 100uf, 25V	C643-145
C75	Electrolytic, 4 Section: A — 20uf, 300V B — 40uf, 400V C — 40uf, 450V D — 40uf, 500V	C50180-49

C76	Electrolytic, 100uf, 300V	C50180-43
C77	Electrolytic, 3 Section: A — 50uf, 250V B — 50uf, 250V C — 200uf, 300V	C50180-51
C78	Electrolytic, 2 Section: A — 1000uf, 35V B — 1000uf, 35V	C50180-38
C79	Ceramic, Feedthru, 1000, GMV	C592-187
C80	Molded, .01uf, 20%, 600V	C2747
C81, 82	Ceramic, 330, 1000V	C50072-1
C83	Molded, .01uf, 20%, 600V	C2747

## RESISTORS & POTENTIOMETERS

In ohms, 5% tolerance, 1/8 watt unless otherwise noted. K=Kilohms, M=Megohms.

Symbol	Description	Part No.
R1	Composition, 270, 10%, 1/2 W	RC20BF271K
R2	Composition, 100K, 10%, 1/2 W	RC20BF104K
R3, 4	Dep. Carbon, 220K	R12DC224J
R5, 6	Dep. Carbon, 150K	R12DC154J
R7, 8	Dep. Carbon, 68K	R12DC683J
R9, 10	Dep. Carbon, 100K	R12DC104J
R11, 12	Dep. Carbon, 10	R12DC100J
R13, 14	Dep. Carbon, 10K	R12DC103J
R15	Dep. Carbon, 1.2K	R12DC122J
R16, 17	Glass, 330K, 1W	R30G334J
R18, 19	Dep. Carbon, 4.7M, 1/2 W	R33DC475J
R20	Dep. Carbon, 220K	R12DC224J
R21, 22	Dep. Carbon, 220K, 1/2 W	R33DC224J
R23, 24	Dep. Carbon, 330K	R12DC154J
R25	Dep. Carbon, 150K	R12DC102J
R26	Dep. Carbon, 1K	R12DC102J
R27	Composition, 4.7K, 10%, 1/2 W	RC20BF472K
R28	Composition, 3.9K, 10%, 1W	R30BF392K
R29	Composition, 150, 10%, 1/2 W	RC20BF151K
R30	Composition, 27K, 10%, 1/2 W	RC20BF273K
R31	Composition, 1K, 10%, 1/2 W	RC20BF102K
R32, 33	Dep. Carbon, 330K	R12DC334J
R34, 35	Dep. Carbon, 470K	R12DC474J
R36, 37	Dep. Carbon, 1.5M, 1/2 W	R33DC155J
R38, 39	Dep. Carbon, 2.7M, 1/2 W	R33DC275J
R40, 41	Dep. Carbon, 1K	R12DC102J
R42, 43	Dep. Carbon, 120K, 1/2 W	R33DC124J
R44	Composition, 150, 10%, 1/2 W	RC20BF151K
R45	Composition, 47K, 10%, 1/2 W	RC20BF473K
R46	Composition, 1K, 10%, 1/2 W	RC20BF102K
R47, 48	Dep. Carbon, 680K	R12DC684J
R49	Composition, 10M, 10%, 1/2 W	RC20BF106K
R50	Potentiometer, 500K, Dual Treble	R50160-136-1
R51	Potentiometer, 500K, Dual Bass	R50160-136-2
R52	Composition, 1K, 10%, 1/2 W	RC20BF102K
R53	Composition, 56K, 10%, 1/2 W	RC20BF563K
R54	Composition, 3.9M, 10%, 1/2 W	RC20BF395K
R55	Composition, 470K, 10%, 1/2 W	RC20BF474K
R56, 57	Dep. Carbon, 1K	R12DC102J
R58	Composition, 270, 1/2 W	RC20BF271J
R59, 60	Dep. Carbon, 120K, 1/2 W	R33DC124J
R61, 62	Dep. Carbon, 220K	R12DC224J
R63	Dep. Carbon, 47K	R12DC473J
R64, 65	Dep. Carbon, 2.7M, 1/2 W	R33DC275J
R66	Composition, 1.5K, 1/2 W	RC20BF152J

# PARTS DESCRIPTION LIST

<b>R67</b>	Composition, 1K, 1/2 W	<b>RC20BF102J</b>
<b>R68, 69</b>	Dep. Carbon, 470K	<b>R12DC474J</b>
<b>R70</b>	Dep. Carbon, 15K	<b>R12DC153J</b>
<b>R71</b>	Potentiometer, 500K, Balance	<b>R50160-135</b>
<b>R73</b>	Dep. Carbon, 180K	<b>R12DC184J</b>
<b>R74, 75</b>	Dep. Carbon, 22K	<b>R12DC223J</b>
<b>R76</b>	Potentiometer, 500K, Dual Volume	<b>R50160-104</b>
<b>R77, 78</b>	Dep. Carbon, 390K, 1/3 W	<b>R33DC394J</b>
<b>R79, 80</b>	Dep. Carbon, 1.2K	<b>R12DC122J</b>
<b>R81, 82</b>	Dep. Carbon, 220	<b>R12DC221J</b>
<b>R83, 84</b>	Potentiometer, 500K	<b>R50150-6</b>
<b>R85</b>	Composition, 100K, 10%, 1/2 W	<b>RC20BF104K</b>
<b>R86, 87</b>	Dep. Carbon, 47K, 1/3 W	<b>R33DC473J</b>
<b>R88, 89</b>	Dep. Carbon, 120K, 1/3 W	<b>R33DC124J</b>
<b>R90, 91</b>	Dep. Carbon, 3.9K	<b>R12DC392J</b>
<b>R92, 93</b>	Composition, 220, 10%, 1/2 W	<b>RC20BF221K</b>
<b>R94</b>	Composition, 10K, 1/2 W	<b>RC20BF103J</b>
<b>R95</b>	Composition, 22K, 10%, 1/2 W	<b>RC20BF223K</b>
<b>R96, 97</b>	Dep. Carbon, 150K, 1/3 W	<b>R33DC154J</b>
<b>R98, 99,</b>		
<b>100, 101</b>	Dep. Carbon, 330K	<b>R12DC334J</b>
<b>R102</b>	Composition, 5.6K, 1/2 W	<b>RC20BF562J</b>
<b>R103</b>	Composition, 2.2K, 10%, 1W	<b>RC30BF222K</b>
<b>R104</b>	Composition, 1.2K, 10%, 1W	<b>RC30BF122K</b>
<b>R105</b>	Glass, 1.2K, 10%, 7W	<b>RPG7W122K</b>
<b>R106, 107,</b>		
<b>108, 109</b>	Dep. Carbon, 1K, 1/2 W	<b>R33DC102J</b>
<b>R110, 111</b>	Glass, 330, 10%, 3W	<b>RPG3W331K</b>
<b>R112</b>	Wirewound, 15, 10%, 5W	<b>R719-106</b>
<b>R113</b>	Dep. Carbon, 4.7K, 1/3 W	<b>R33DC472J</b>
<b>R114, 115</b>	Wirewound, 25, 10%, 5W	<b>R688-117</b>
<b>R116, 117</b>	Dep. Carbon, 2.2K, 1/3 W	<b>R33DC222J</b>
<b>R118</b>	Composition, 820K, 10%, 1/2 W	<b>RC20BF824K</b>
<b>R119, 120</b>	Composition, 330, 10%, 1/2 W	<b>RC20BF331K</b>
<b>R121, 122</b>	Dep. Carbon, 47K	<b>R12DC473J</b>
<b>R123, 124</b>	Dep. Carbon, 82K	<b>R12DC823J</b>
<b>R125, 126</b>	Glass, 2.7K, 1/2 W	<b>R20G272J</b>
<b>R127</b>	Dep. Carbon, 47K	<b>R12DC473J</b>
<b>R128, 129,</b>		
<b>130</b>	Dep. Carbon, 470K	<b>R12DC474J</b>

## COILS, CHOKES & TRANSFORMERS

Symbol	Description	Part No.
<b>L1</b>	FM Antenna Coil	<b>L966-113</b>
<b>L2</b>	FM RF Coil	<b>L1034-113</b>
<b>L3</b>	FM Mixer Coil	<b>L1034-112</b>
<b>L4</b>	FM Oscillator Coil Assembly	<b>AS1034-115</b>
<b>L5</b>	Choke, 1.2 Microhenries	<b>L50066-3</b>
<b>L6</b>	Choke, .68 Microhenry	<b>L50066-1</b>
<b>L7</b>	Choke, 3.3 Microhenries	<b>L50066-8</b>
<b>T1</b>	Transformer, Output	<b>T1020-116-1</b>
<b>T2</b>	Transformer, Output	<b>T1020-116-2</b>
<b>T3</b>	Transformer, Power	<b>T1020-124</b>
<b>Z1</b>	FM IF Transformer	<b>ZZ50210-20</b>
<b>Z2</b>	FM IF Transformer	<b>ZZ50210-39</b>
<b>Z3</b>	FM Limiter Coil Assembly	<b>L50210-6</b>
<b>Z4</b>	FM Ratio Detector Assembly	<b>ZZ50210-9</b>

## MISCELLANEOUS

Symbol	Description	Part No.
<b>CR1, 2</b>	Silicon Diode	<b>SR50411-1</b>
<b>CR3</b>	Selenium Rectifier Bridge	<b>SR50253-1</b>
<b>F1</b>	Fuse, 3.2 Amp., Slo-Blo	<b>F3319</b>
<b>I1, 2</b>	Lamp, Dial	<b>I50441-4</b>
<b>J20</b>	Jack, Earphone	<b>J846-120-1</b>
<b>PC1, 2</b>	Printed Circuit, Phono Tape Equalization	<b>PC50187-3</b>
<b>PC3, 4</b>	Printed Circuit, Tone Control	<b>PC50187-9</b>
<b>PC5, 6</b>	Printed Circuit, High Filter	<b>PC50187-2</b>
<b>S1</b>	Switch, Selector	<b>S1020-119</b>
<b>S2, 3, 4, 5</b>	Switch, Slide	<b>S50200-5</b>
<b>S6</b>	Switch, Power	<b>Part of R76</b>
—	Dress Panel	<b>AS1020-108</b>
—	FM Dipole Assembly	<b>AS50227-1</b>
—	Knob, Dummy Dual	<b>E50324</b>
—	Knob, Dual Front	<b>E50323</b>
—	Knob, Dual Rear	<b>E50221</b>
—	Knob, Tuning	<b>E50324-1</b>
—	Dial Glass	<b>N1020-107</b>
—	Fuse Holder	<b>X563-151</b>

# PHASE INVERTER ADJUSTMENT

- LEFT CHANNEL**
- 1** — Connect a 16-ohm load between the Left Speaker terminals. Connect the Left Impedance Selector to the "16" terminal.
  - 2** — Connect the input of the IM Distortion Analyzer across the 16-ohm load.
  - 3** — Connect the IM Distortion Analyzer output to the Left AUX input jack.
  - 4** — Set the Selector switch to AUX and adjust the Analyzer for 14 volts across the 16-ohm load.
  - 5** — Adjust the Left Phase Inverter Adjust control for minimum IM distortion.

- RIGHT CHANNEL**
- 1** — Connect a 16-ohm load between the Right Speaker terminals. Connect the Right Impedance Selector to the "16" terminal.
  - 2** — Connect the input of the IM Distortion Analyzer across the 16-ohm load.
  - 3** — Connect the IM Distortion Analyzer output to the Right AUX input jack.
  - 4** — Set the Selector switch to AUX and adjust the Analyzer for 14 volts across the 16-ohm load.
  - 5** — Adjust the Right Phase Inverter Adjust control for minimum IM distortion.

# ALIGNMENT INSTRUCTIONS • MULTIPLEX SECTION

STEPS	GENERATOR			INDICATOR	ALIGNMENT		
	CONNECTION	AUDIO FREQUENCY	RF MODULATION	TYPE & CONNECTION	ADJUST	INDICATION	NOTES
1	Audio oscillator connected to lug 1	80 KC—1 volt	None	AC VTVM to junction of C210 and R228	Z100 (Use hex alignment tool)	Minimum voltage	
2	Multiplex generator audio output to lug 1 (See Note 1)	19 KC ( $\pm 5$ cps) pilot tone, 100 mv	None	DC VTVM to T.S.P. 101	Z100 top and bottom (Use hex alignment tool)	Maximum voltage	1
3	Same as Step 2	19 KC pilot tone, 50 mv	None	Scope horiz. input to 19 KC output of gen.; vert. input to junction of C216 and R209. External sweep	Z101 (Use K-tran alignment tool)	Stable 2:1 Lissajous pattern. Disregard phase of pattern	1
4	Same as Step 2	19 KC	None	Same as Step 3	Vary generator 19 KC output from 50 to 200 mv	Lissajous pattern should remain stationary over the entire 150 mv range	1, 2
5	Same as Step 2	1000 cps on left (A) channel only, 1 volt rms (2.8 P-P)	None	AC VTVM and scope vert. input to channel A output lug. Internal sweep. DC VTVM to T.S.P. 101	Z100 top (Use hex tool)	Maximum indication on AC VTVM. Clean 1000 cps waveform on scope	1, 3
6	Same as Step 2	1000 cps on right (B) channel only, 1 volt rms (2.8 P-P)	None	Same as Step 5	MPX separation R215	Minimum reading on AC VTVM should be at least 33 db below reading obtained in Step 5	1
7	Same as Step 2	Same as Step 6	None	Move scope input and AC VTVM to channel B output lug	-----	Note and record voltage reading on AC VTVM	1
8	Same as Step 2	1000 cps on left (A) channel only, 1 volt rms (2.8 P-P)	None	Same as Step 7	-----	AC VTVM reading should be at least 33 db below reading observed in Step 7	1
9	Same as Step 2	8000 cps on right (B) channel only, 1 volt rms (2.8 P-P)	None	Same as Step 7	-----	AC VTVM reading should be the same as observed in Step 7	1
10	Same as Step 2	8000 cps on left (A) channel only, 1 volt rms (2.8 P-P)	None	Same as Step 7	-----	AC VTVM reading should be at least 18 db below reading observed in Step 9	1
11	Repeat Steps 9 and 10 with scope and AC VTVM connected to channel A output lug, but start with 8000 cps applied to left channel for first reading, then switch to right channel for second reading.						
12	Multiplex generator RF output to 300-ohm antenna terminals	1000 cps on left (A) channel only	100% (75 KC Dev.) No pre-emphasis	Move scope input and AC VTVM to channel A output lug	-----	Note and record voltage reading on AC VTVM	4
13	Same as Step 12	1000 cps on right (B) channel only	Same as Step 12	Same as Step 12	R215	Minimum reading on AC VTVM should be at least 33 db below reading observed in Step 12	4
14	Same as Step 12	8000 cps on left (A) channel only	Same as Step 12	Same as Step 12	-----	AC VTVM reading should be 10 db below reading observed in Step 12	4
15	Same as Step 12	8000 cps on right (B) channel only	Same as Step 12	Same as Step 12	-----	AC VTVM reading should be 28 db below reading observed in Step 12	4

**NOTE:** The above procedure is based on the use of the FISHER Model 300 Multiplex Generator.

1 — In steps 2 through 11, the audio output of the Multiplex Generator should be connected to lug 1 of the multiplex sub-chassis through a 12,000 ohm, 1/2-watt, carbon resistor, and a 180 uuf capacitor should be connected between lug 1 and ground. The wiring from the MPX TEST jack on the main chassis to lug 1 must be disconnected during Steps 2 through 11.

2 — The vertical amplitude of the Lissajous pattern will increase slightly

as the generator output is increased. This is a normal occurrence.

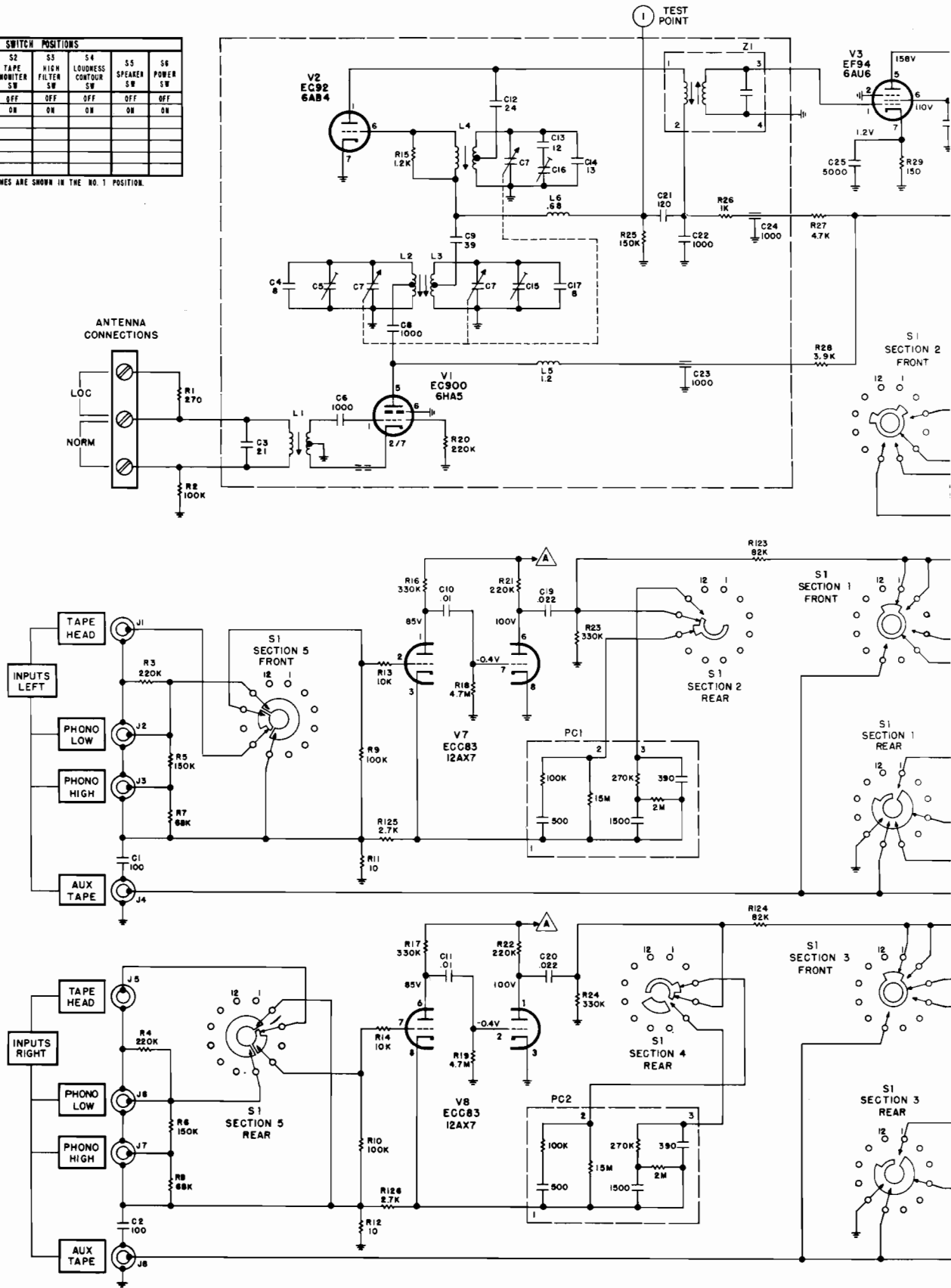
3 — If DC VTVM reading falls below —9 volts when maximum reading is obtained on the AC VTVM, readjust bottom of Z100, then repeat Step 5. Repeat this procedure until maximum AC VTVM reading is obtained with DC VTVM reading greater than —9 volts.

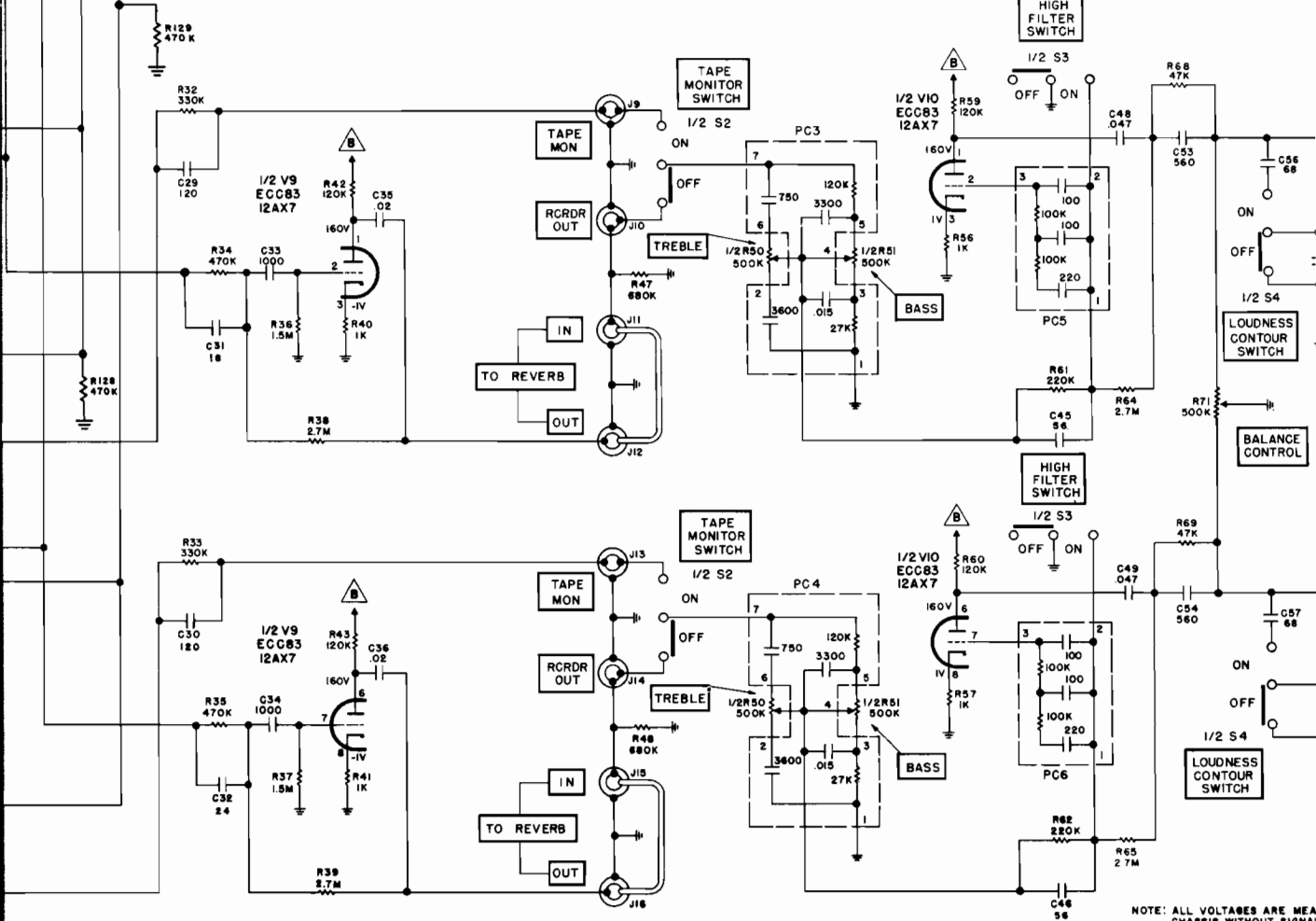
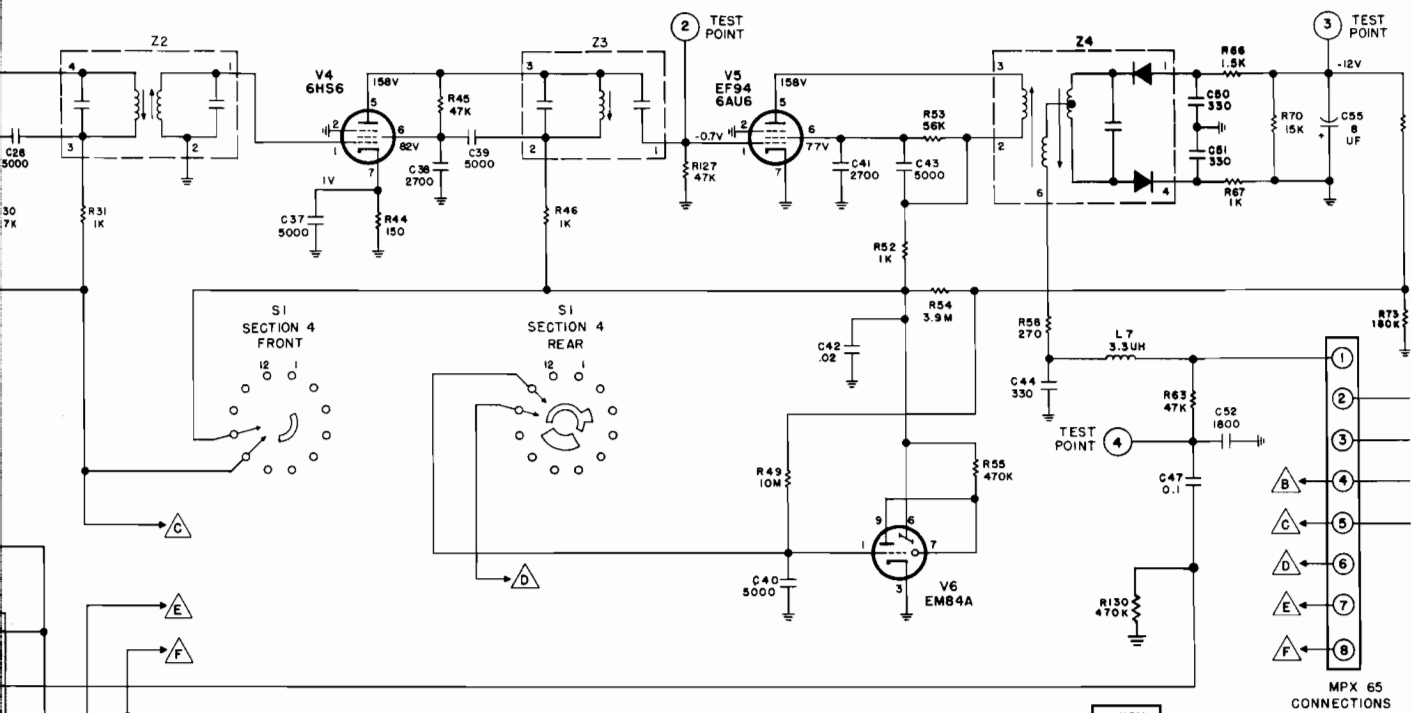
4 — Tune the FISHER to the RF output frequency of the Multiplex Generator.

# SCHEMATIC DIAGRAM • RECEIVER

SWITCH POSITIONS						
POS. NO.	S1 SELECTOR SW	S2 TAPE MONITOR SW	S3 HIGH FILTER SW	S4 LOUDNESS CONTOUR SW	S5 SPEAKER SW	S6 POWER SW
1	TAPE HEAD	OFF	OFF	OFF	OFF	OFF
2	PHONO MONO	ON	ON	ON	ON	ON
3	PHONO STEREO					
4	FM STEREO					
5	FM STEREO FILTER					
6	FM MONO					
7	AUX-TAPE					

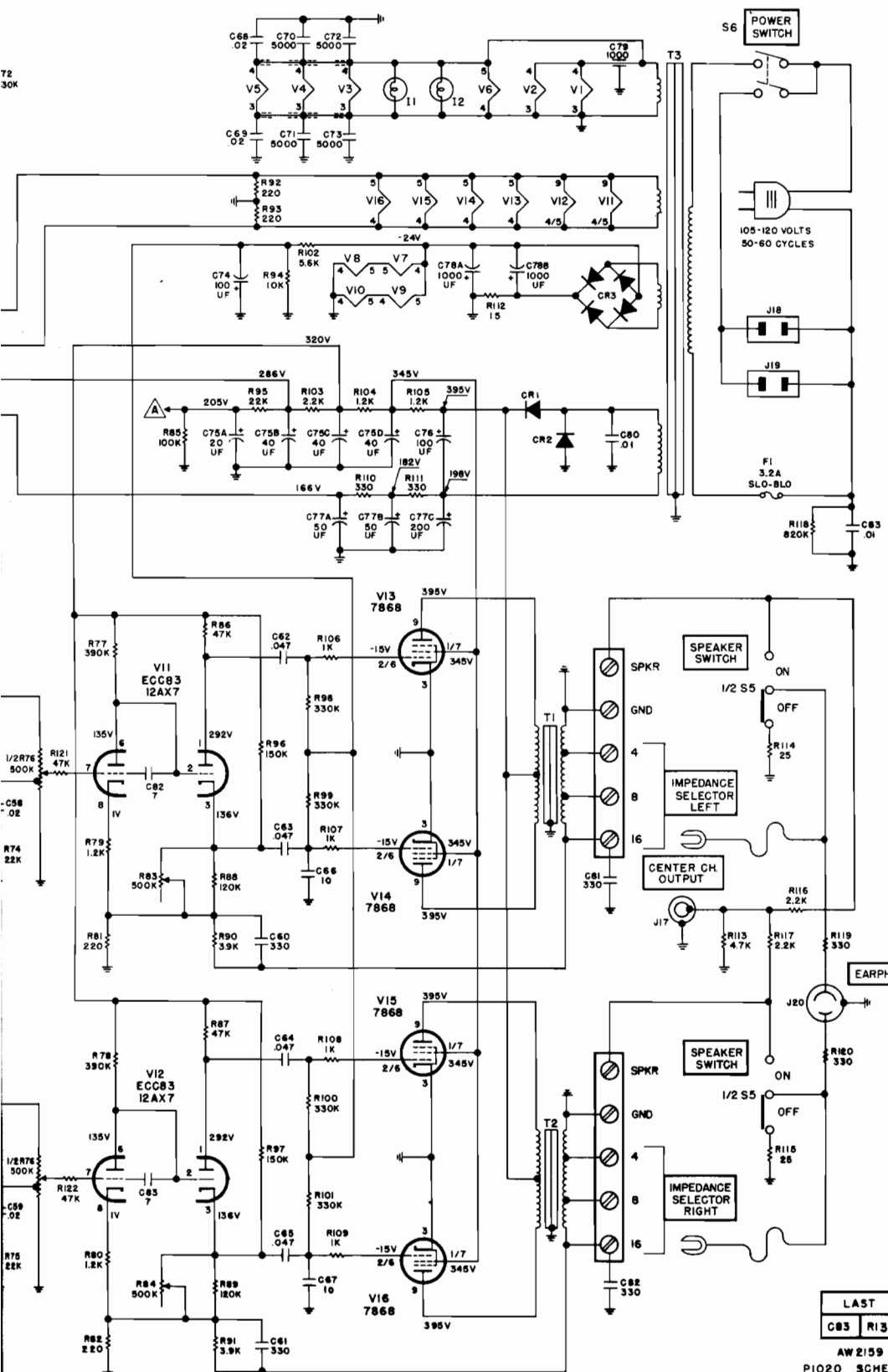
ALL SWITCHES ARE SHOWN IN THE NO. 1 POSITION.





NOTE: ALL VOLTAGES ARE MEAS CHASSIS WITHOUT SIGNAL

72  
30K



LAST  
 C93 R130  
 AW2159 F  
 P1020 SCHEMATIC

RED AGAINST  
AT THE ANTENNA TERMINAL

# PARTS DESCRIPTIO

## CAPACITORS

10% tolerance for all fixed capacitors, unless otherwise noted or marked GMV (guaranteed minimum value). All capacitors not marked uf are pF (uf).

Symbol	Description	Part No.
C200	Ceramic, .01uf, +80 - 20%, 500V	C50089-7
C201	Ceramic, 680, 1000V	C50072-2
C203	Ceramic, 220, 1000V	C50183-3
C204	Polystyrene, 470, 5%, 500V	C50394-1
C205	Ceramic, 82, 1000V	C50070-1
C206	Ceramic, 1000, GMV, 500V	C50089-2
C207	Ceramic, 5000, +80 - 20%, 500V	C50089-6
C208, 209	Mica, 4700, 5%, 500V	C50332-5
C210	Electrolytic, 1uf, 350V	C50283-3
C211	Ceramic, 1000, GMV, 500V	C50089-2

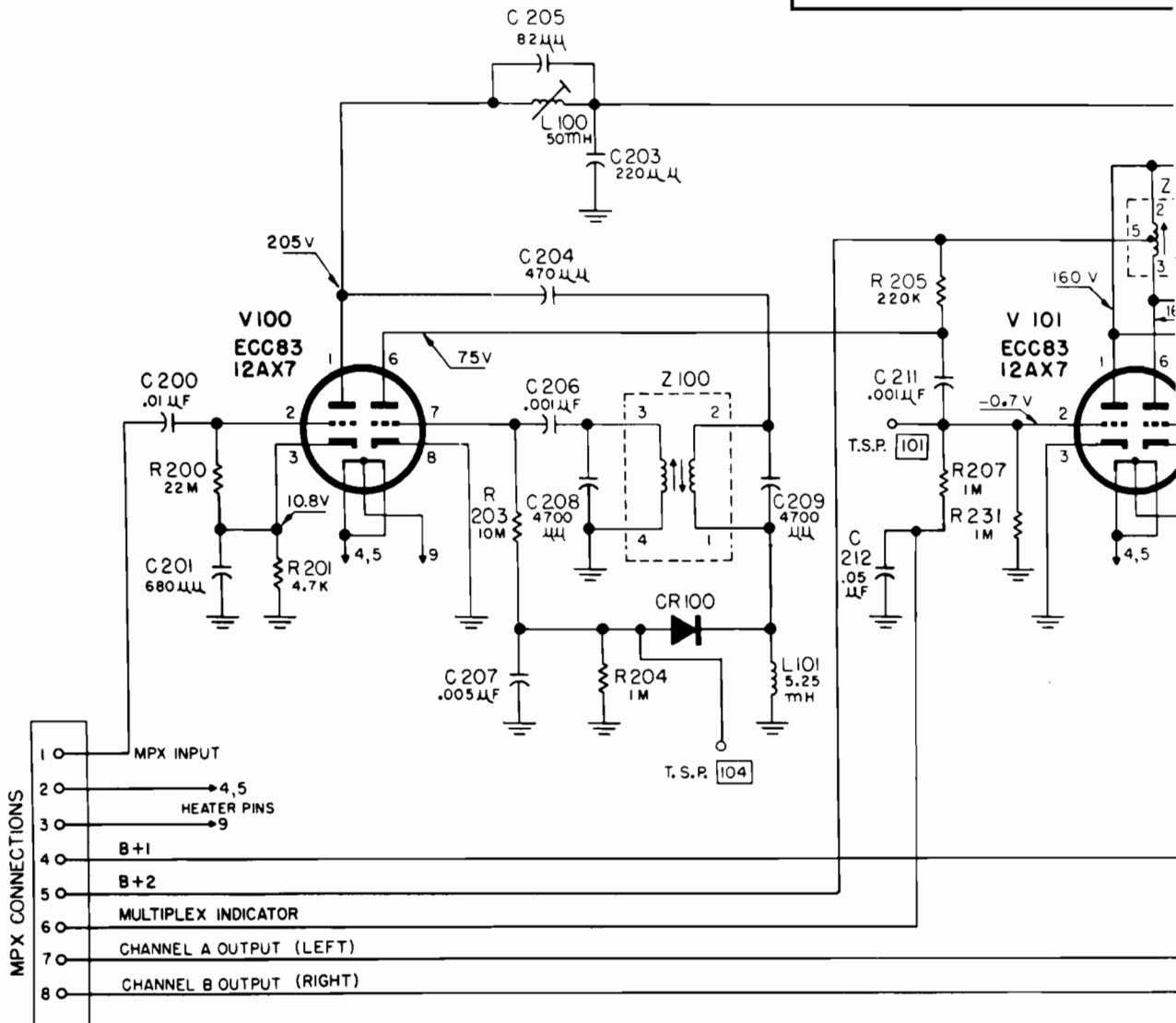
C212	Ceramic, .05uf, +80 - 20%, 100V	C50073-
C214	Mylar, 4700, 400V	C50197-2
C215	Mica, 3900, 5%, 500V	C50332-
C216, 217	Ceramic, 1000, GMV, 500V	C50089-
C218	Ceramic, .02uf, 20%, 500V	C50089-
C219	Ceramic, 330, 1000V	C50183-
C220	Ceramic, .02uf, 20%, 500V	C50089-
C221, 222	Mylar, .047uf, 250V	C50197-5
C223, 224	Ceramic, 1000, 1000V	C50072-
C225, 226	Ceramic, 2200, 1000V	C50072-

## RESISTORS

In ohms, 5% tolerance, 1/8 W unless otherwise noted. K=Kilohms, M=Megohms.

Symbol	Description	Part No.
R200	Composition, 22M, 10%, 1/2 W	RC20BF226

# SCHEMATIC DIAG





# INDEX LIST • MULTIPLEX SECTION

- R201 Composition, 4.7K, 1/2 W
- R202 Composition, 15K, 1/2 W
- R203 Composition, 10M, 10%, 1/2 W
- R204 Dep. Carbon, 1M
- R205 Dep. Carbon, 220K, 1/3 W
- R206 Dep. Carbon, 1.8M
- R207 Dep. Carbon, 1M
- R208 Dep. Carbon, 22K
- R209, 210, 211, 212 Dep. Carbon, 33K
- R213, 214 Dep. Carbon, 100K
- R215 Potentiometer, 50K, MPX Separation
- R216 Composition, 22M, 10%, 1/2 W
- R217, 218 Dep. Carbon, 18K, 1/3 W
- R219, 220 Dep. Carbon, 15K, 1/3 W
- R221 Composition, 22M, 10%, 1/2 W

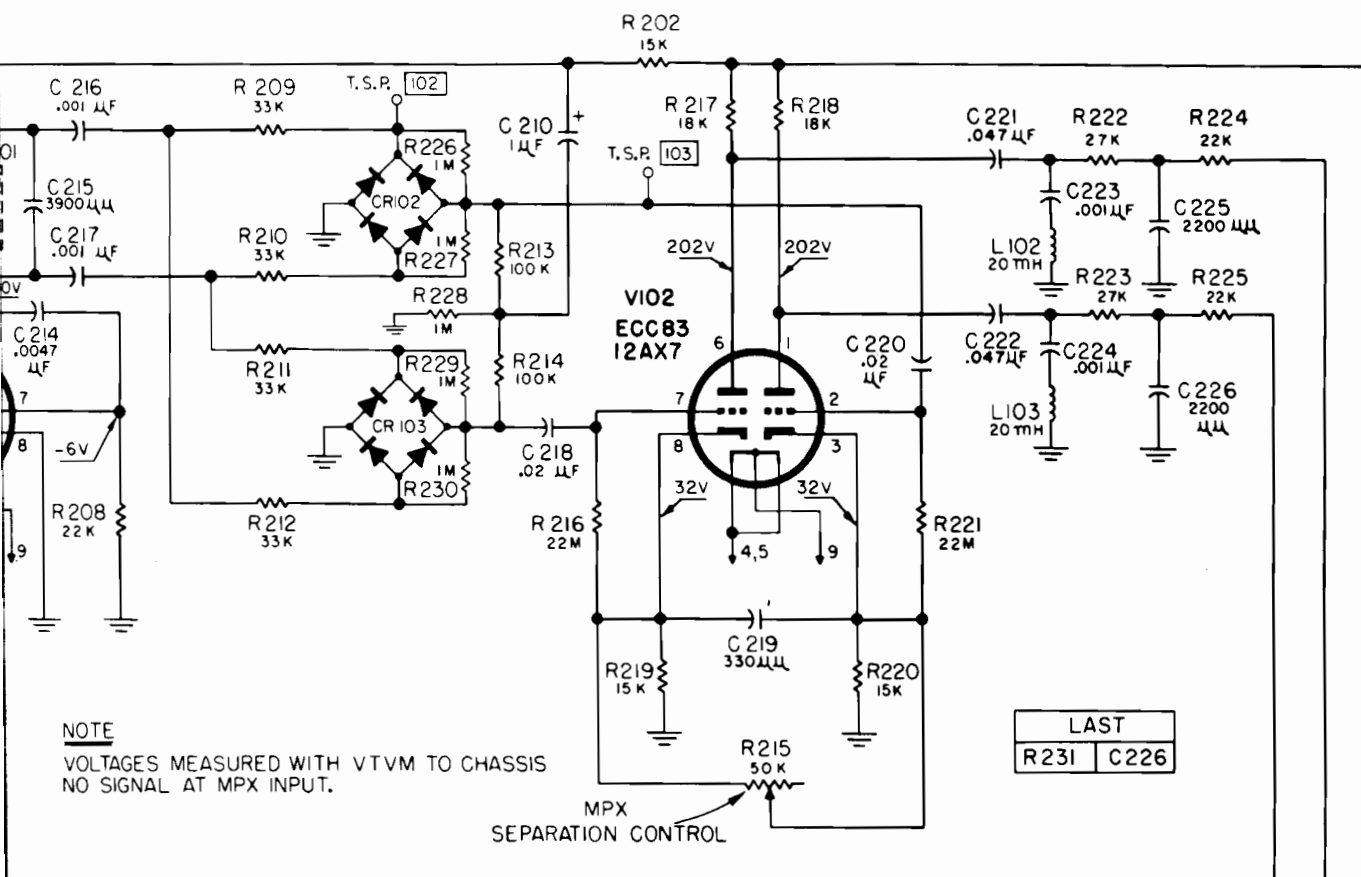
- RC20BF472J
- RC20BF153J
- RC20BF106K
- R12DC105J
- R33DC224J
- R12DC185J
- R12DC105J
- R12DC223J
- R12DC333J
- R12DC104J
- R50150-4
- RC20BF226K
- R33DC183J
- R33DC153J
- RC20BF226K
- R222, 223 Dep. Carbon, 27K
- R224, 225 Dep. Carbon, 22K
- R226, 227, 228, 229, 230, 231 Dep. Carbon, 1M

- R12DC273J
- R12DC223J
- R12DC105J

## MISCELLANEOUS

Symbol	Description	Part No.
CR100,	Diodes, Type 1112	V-1112
CR102, 103	Bridge	V50160-13
L100	Coil, low pass	L50210-30
L101	Coil, 5.25MH	L50334-1
L102, 103	Coil, 20MH	L50334-2
Z100	Transformer, 19Kc	ZZ50210-34
Z101	Coil, 38Kc	ZZ50210-33

# INDEX LIST • MULTIPLEX SECTION



# ALIGNMENT INSTRUCTIONS

**Read These Instructions With Extreme Care Before Attempting Alignment.**

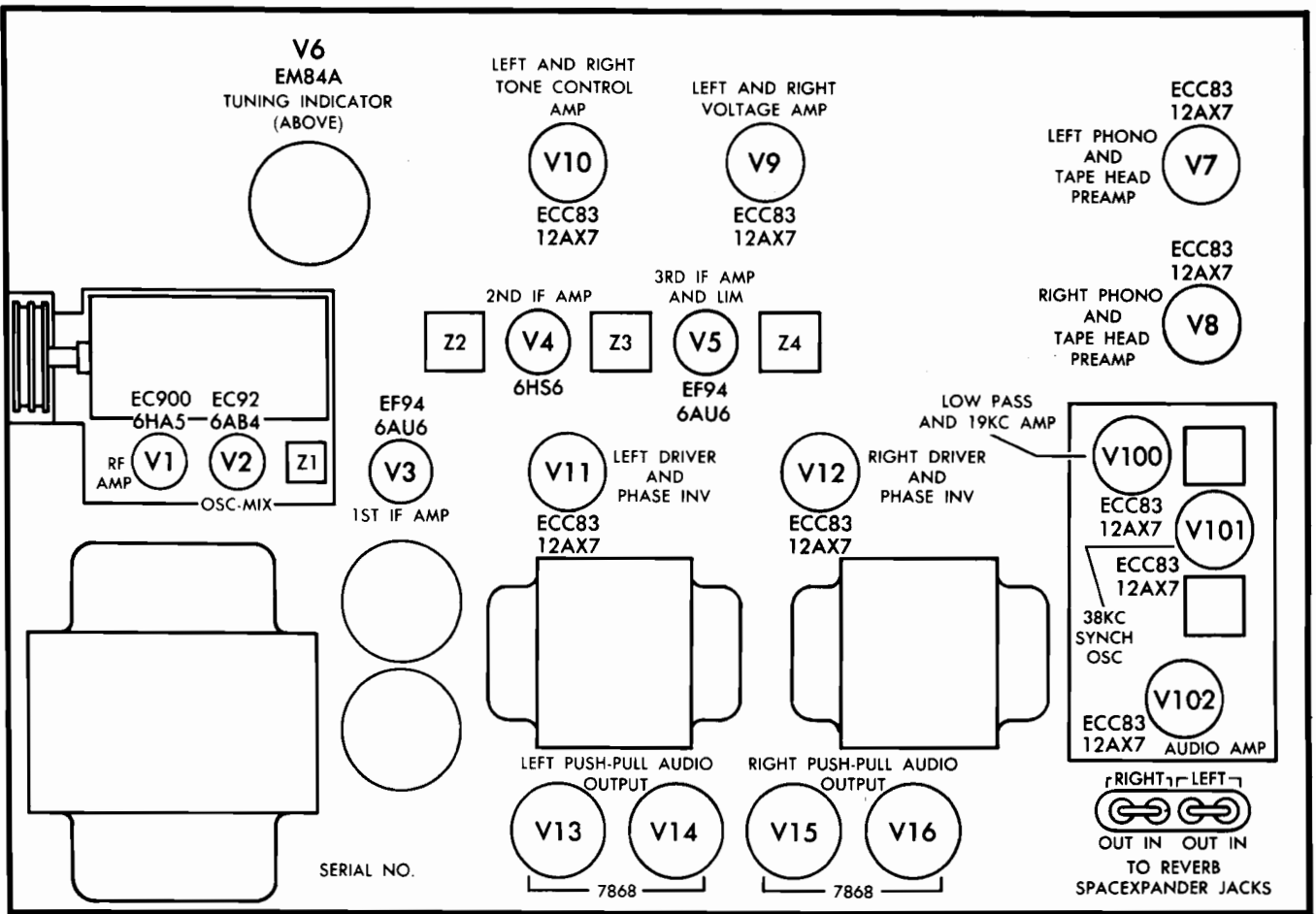
- CHASSIS: 1** — For the entire alignment procedure, set the Selector Switch to the MONO position.
- 2** — Turn the Tuning knob maximum counterclockwise. (Dial pointer should line up with calibration mark at the beginning of the dial. Reset the dial pointer if necessary.)
- 3** — Allow the Receiver and test equipment at least 15 minutes warm-up time. Adjust the line voltage for 117 volts AC 50-60 cps. Use fully insulated tools: a small screw-driver for trimmer capacitors C16, C15 and C5, a K-Tran tool for Z1, Z2 and a hex tool for all Z3, Z4, L4, L3, L2 and L1.

STEP	DIAL	SIGNAL GENERATOR			DC VTVM	ADJUST	INDICATION
		GENERATOR COUPLING	FREQ.	MOD.			
1	Set dial pointer for extreme C.C.W. position.	Ungrounded tube shield of V2	10.7 MC	None	Test Point 3	Z1, Z2, Z3, Z4 top and bottom	Maximum negative voltage (below 20 volts)
		Ungrounded tube shield of V2	10.7 MC	None			
2		Ungrounded tube shield of V2	10.7 MC	None	Hot lead of DC VTVM to Test point 4. Ground lead of DC VTVM to junction of two series connected resistors (47K), wired between Test point 3 and ground.	Z5 top	Zero indication on zero center dial.
3	90 MC	Two 120 ohm carbon resistors in series with generator leads to the Normal antenna terminals.	90 MC	±22.5 KC deviation at 400 cps.	Through 100K resistor to Test Point 2	L4, L3 and L2	Adjust for maximum negative voltages and check for sine wave-form, with scope at Left or Right RCRDR output.
4	106 MC		106 MC	±22.5 KC deviation at 400 cps.	Through 100K resistor to Test Point 2	C16, C15 and C5	
5	98 MC		98 MC	±22.5 KC deviation at 400 cps.	Through 100K resistor to Test Point 2	L1	

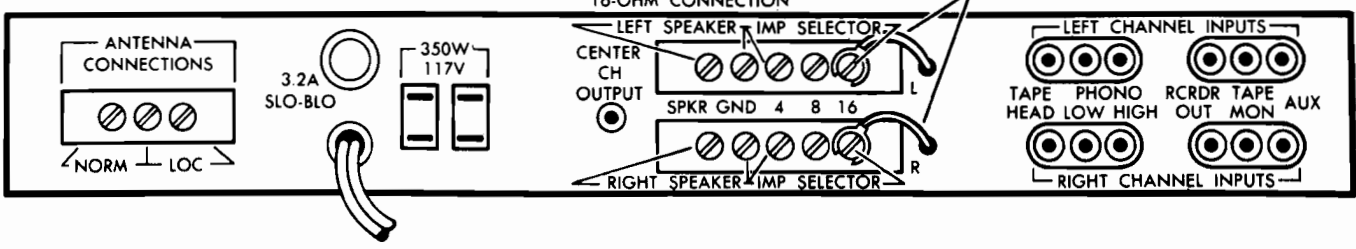
**NOTE:** (Steps 1 and 2): Decrease signal generator output while aligning IF transformers so that the VTVM indicates not more than specified voltages. Repeat steps 4 and 5 to obtain proper dial calibration and maximum sensitivity.



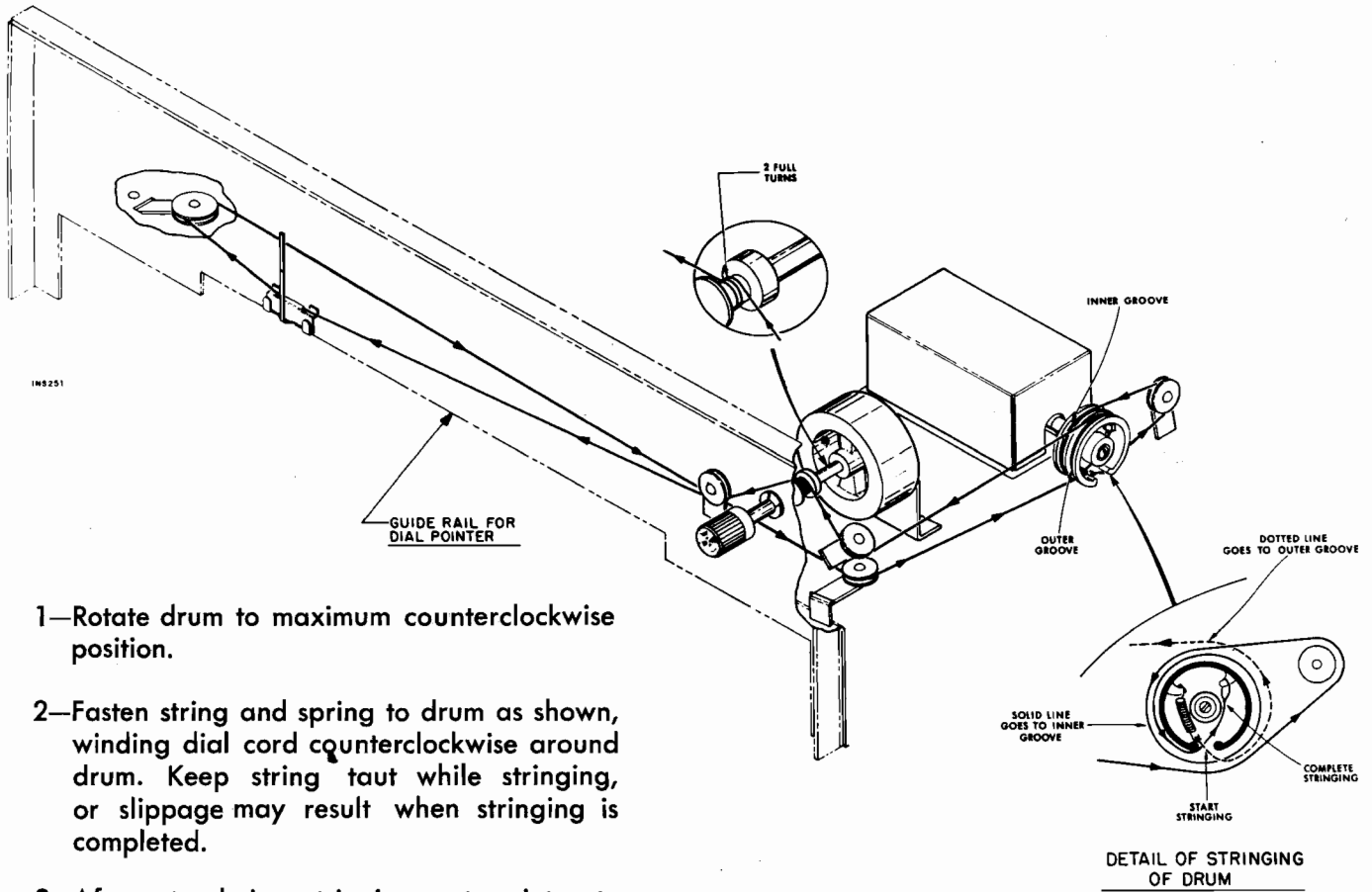
# TUBE LAYOUT • RECEIVER



NOTE: IMPEDANCE SELECTOR SHOWN IN 16-OHM CONNECTION



# DIAL STRINGING PROCEDURE



- 1—Rotate drum to maximum counterclockwise position.
- 2—Fasten string and spring to drum as shown, winding dial cord counterclockwise around drum. Keep string taut while stringing, or slippage may result when stringing is completed.
- 3—After completing stringing, set pointer to zero (0) on the dial logging scale, and glue pointer to dial cord.



FISHER RADIO CORPORATION • NEW YORK