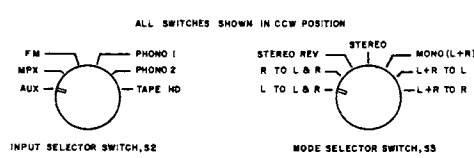
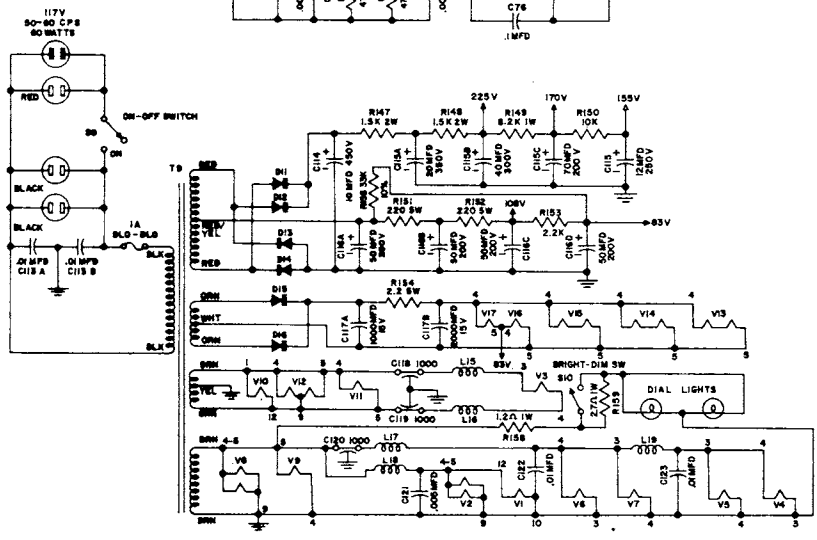
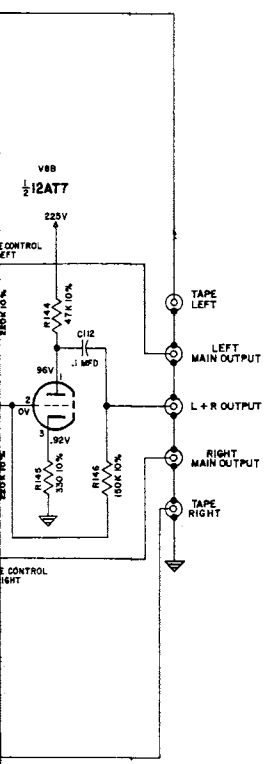
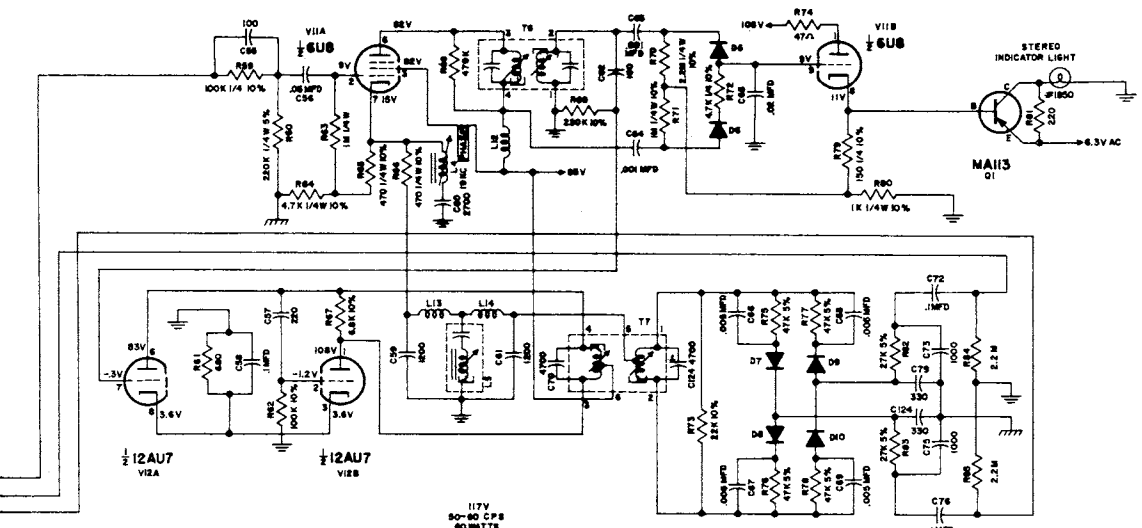


CHASSIS GROUND
 INPUT AUDIO GROUND
 OUTPUT AUDIO GROUND



ALL VOLTAGE
 1 - USE OF II
 2 - ALL VOLT
 3 - A.C. INPU
 4 - NO SIGNA
 5 - FRONT PA
 MODE SEL
 INPUT SE
 VOLUME,
 BALANCE
 TONE COI



MEASURED UNDER FOLLOWING CONDITIONS:
 60HMS INPUT IMPEDANCE VTVM VOLTMETER.
 RES 2.10%, WITH RESPECT TO GROUND.
 AT 117 V 50-60 CPS.
 AT ANTENNA AND OTHER INPUT TERMINALS.
 ALL CONTROLS AT

UNLESS OTHERWISE SPECIFIED
 ALL RESISTORS 1/2 W 20%
 ALL CAPACITORS IN PF
 ALL INDUCTORS IN MICRO H

FM 1F: 10.7 MC

- CONTROL - STEREO MUTING - OUT
- CONTROL - MPX LF/HF FILTERS - OUT
- CONTROL - MAX LOUD - OUT
- CONTROL - ZERO TAPE MONITOR - OUT
- CONTROL - FLAT PHASE - 0°

| | | | |
|-------|----------|------------------|------------|
| DATE | REV | SCHEMATIC, MK110 | DATE |
| | | 11/10/63 | |
| | | | |
| SCALE | DATE | BY | CHK |
| | 11/10/63 | C.T. | SC 142-199 |